

White Christmas

PEGGY BODICE EXPANSION

Sizes 2-20
with cup sizes A-H

5/8 inch (in) (1.5 cm) seam allowances are included on all pattern pieces.



SIZES 2-20
PATTERN
SIZE KEY

2	—————
4	- - - - -
6
8	- . - . -
10
12	- . - . -
14
16	- . - . -
18
20	- . - . -

SYMBOL KEY

grainline arrow



match point/
placement mark



© 2023 Charm Patterns
by Gertie. Distribution
and Commercial Use
Prohibited.

1 in
test
square

2 cm
test
square

PAGE

1

FOLD BACK THIS MARGIN

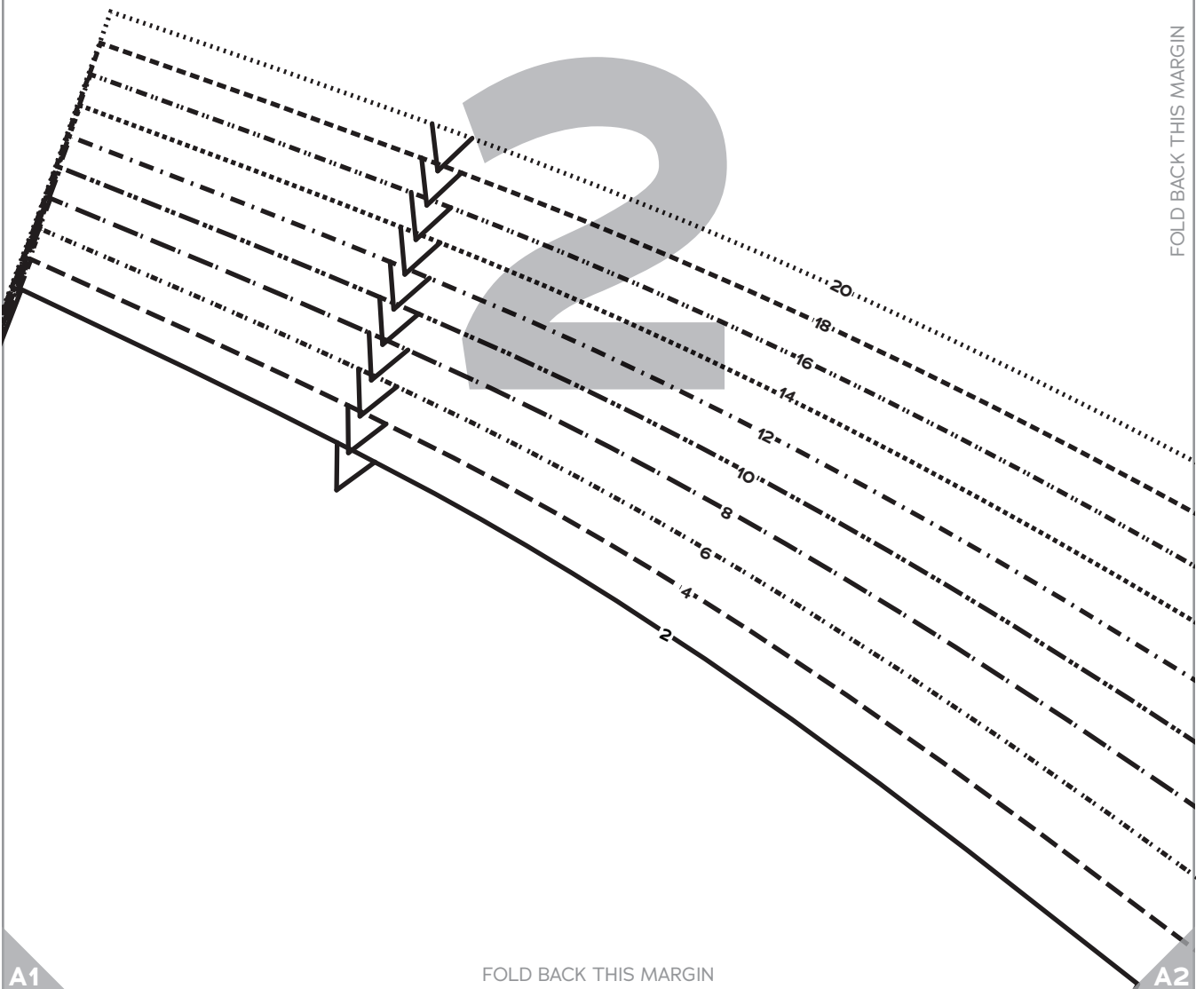
FOLD BACK THIS MARGIN

A1

PAGE

2

FOLD BACK THIS MARGIN



A1

FOLD BACK THIS MARGIN

A2

PAGE 3

FOLD BACK THIS MARGIN

FOLD

2
10
20

A2

FOLD BACK THIS MARGIN

A3

PAGE

4

White Christmas
Peggy Bodice
Expansion
SIZES 2-20

Bodice Front,
A Cup

Cut 1 fabric on fold,
1 lining on fold



GATHER BETWEEN NOTCHES

FOLD BACK THIS MARGIN

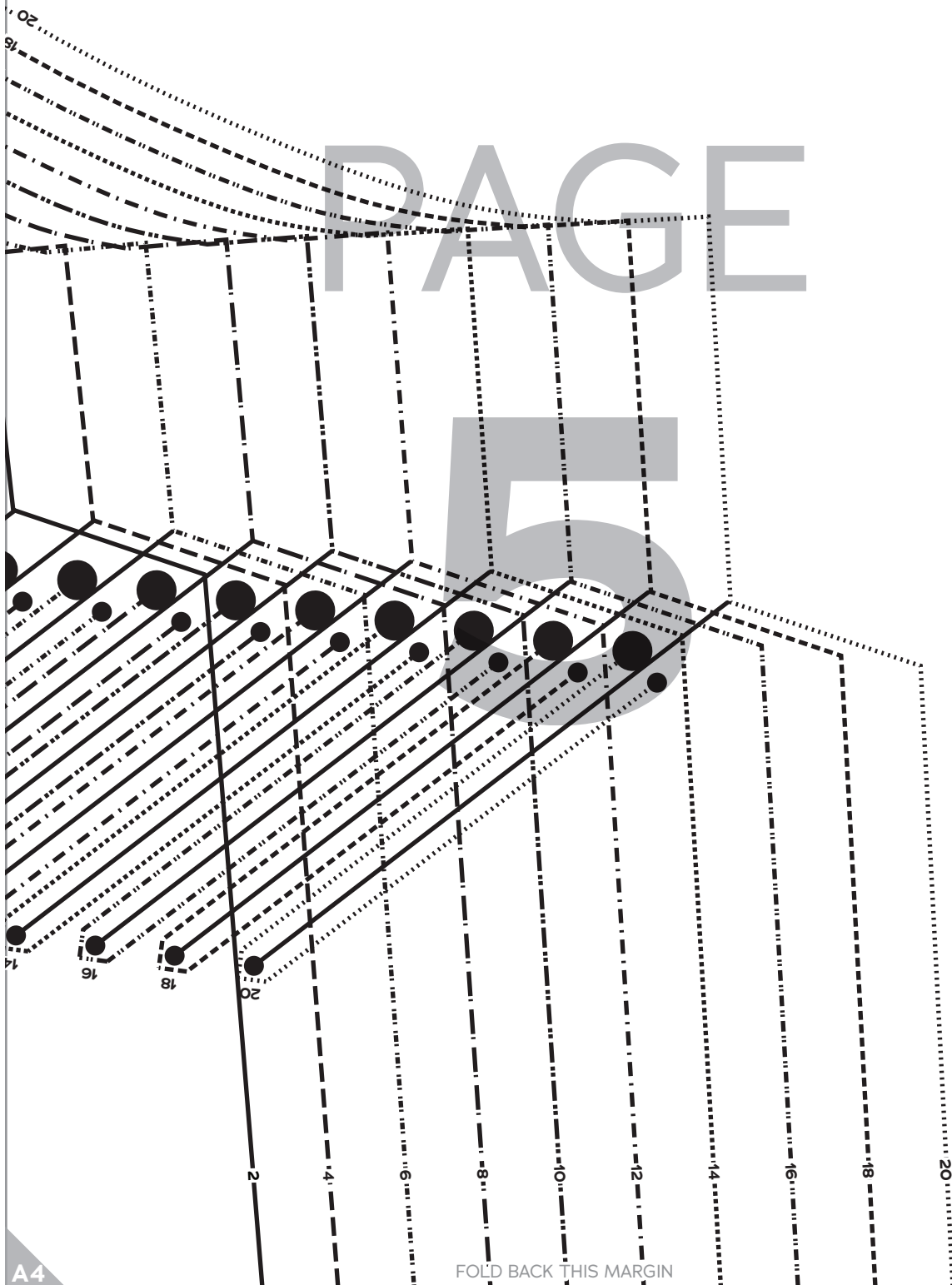
FOLD BACK THIS MARGIN

A3

A4

PAGE

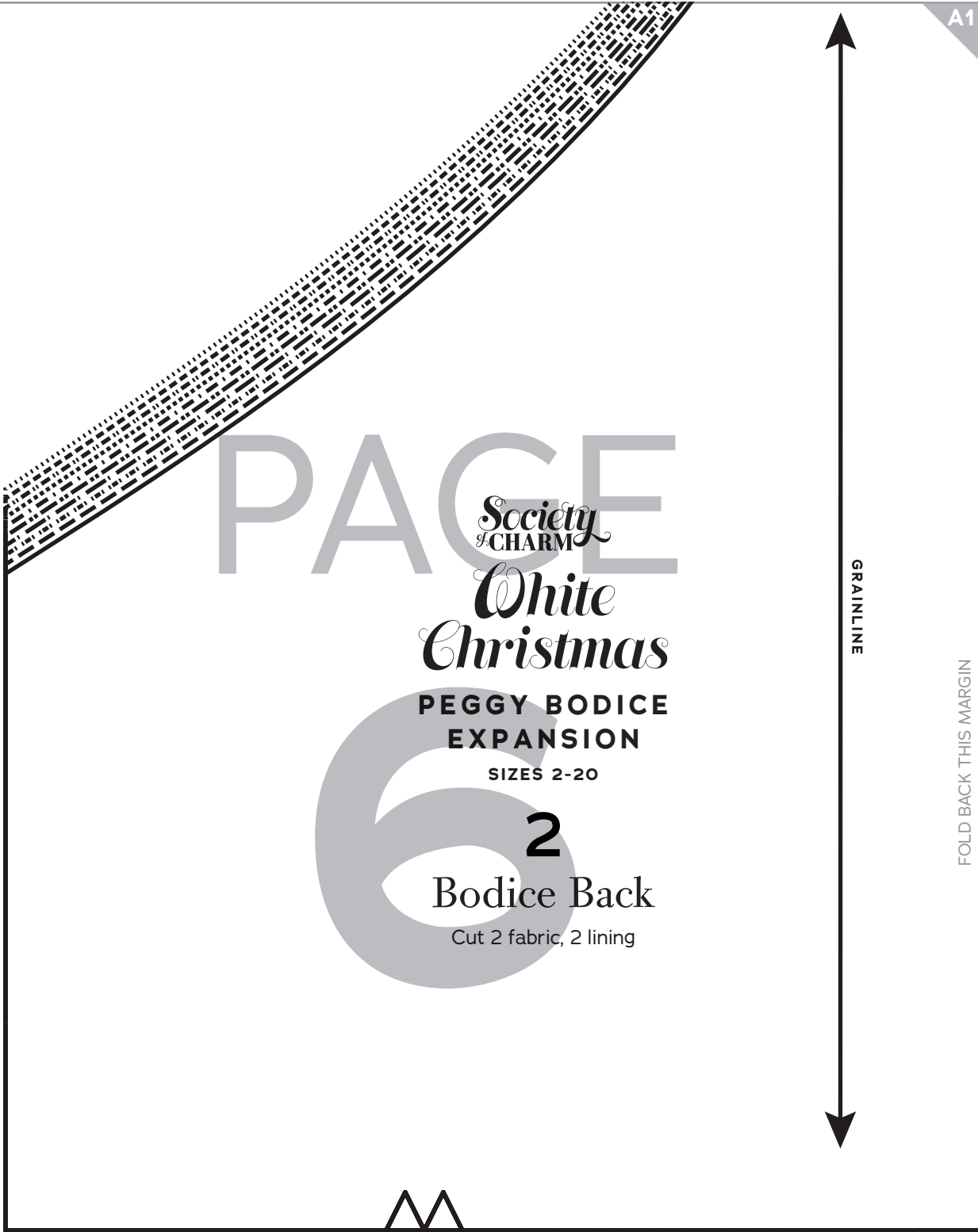
5



A4

FOLD BACK THIS MARGIN

A1



PAGE

Society
of CHARM

*White
Christmas*

**PEGGY BODICE
EXPANSION**

SIZES 2-20

2

Bodice Back

Cut 2 fabric, 2 lining

GRAINLINE

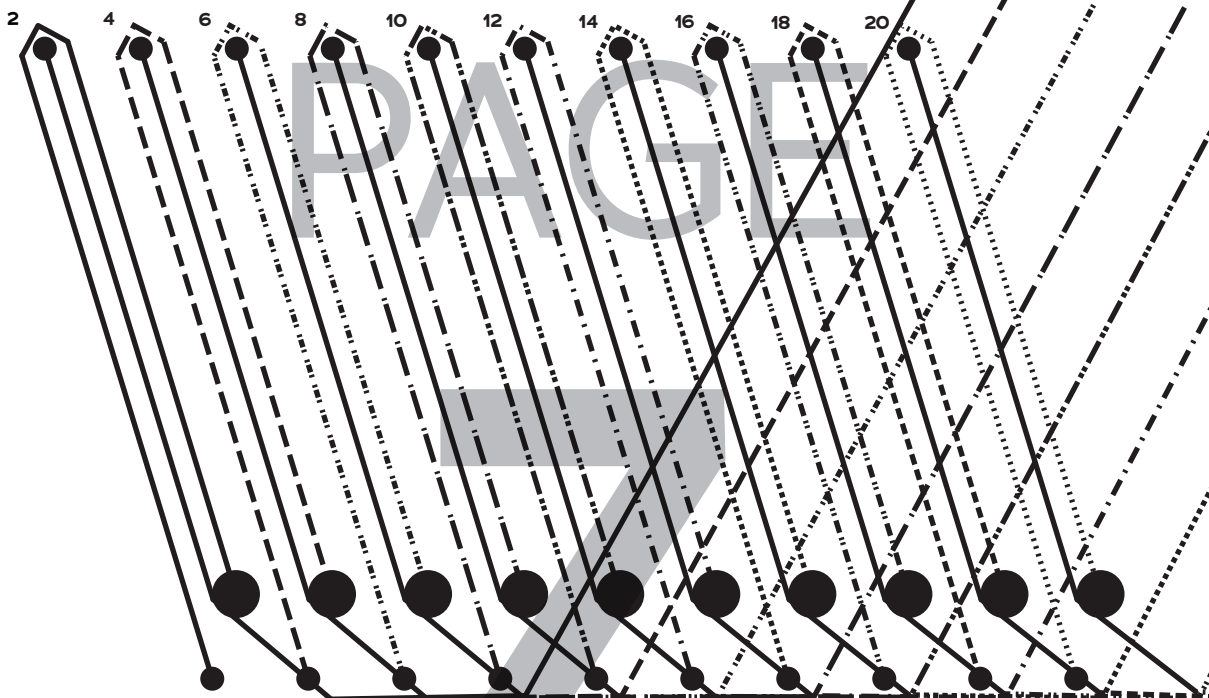
FOLD BACK THIS MARGIN

FOLD BACK THIS MARGIN

B1

A1

A2



FOLD BACK THIS MARGIN

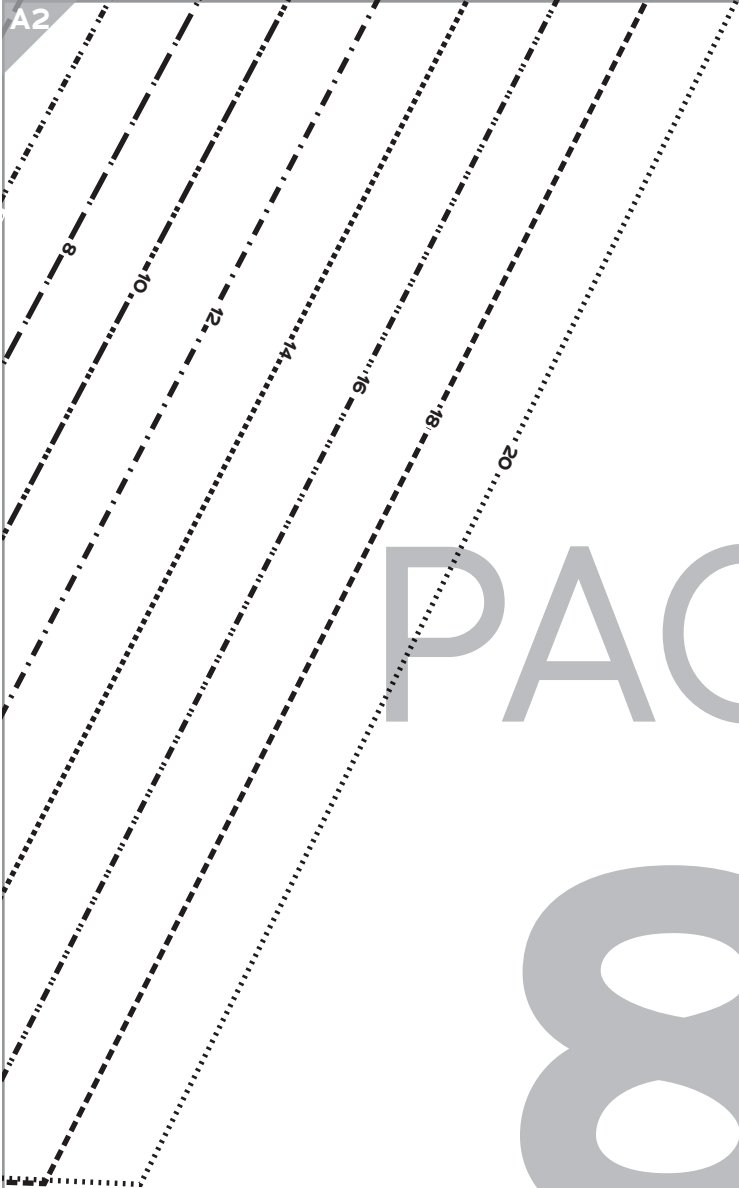
B1

FOLD BACK THIS MARGIN

B2

A2

A3



PAGE

8

FOLD BACK THIS MARGIN

B2

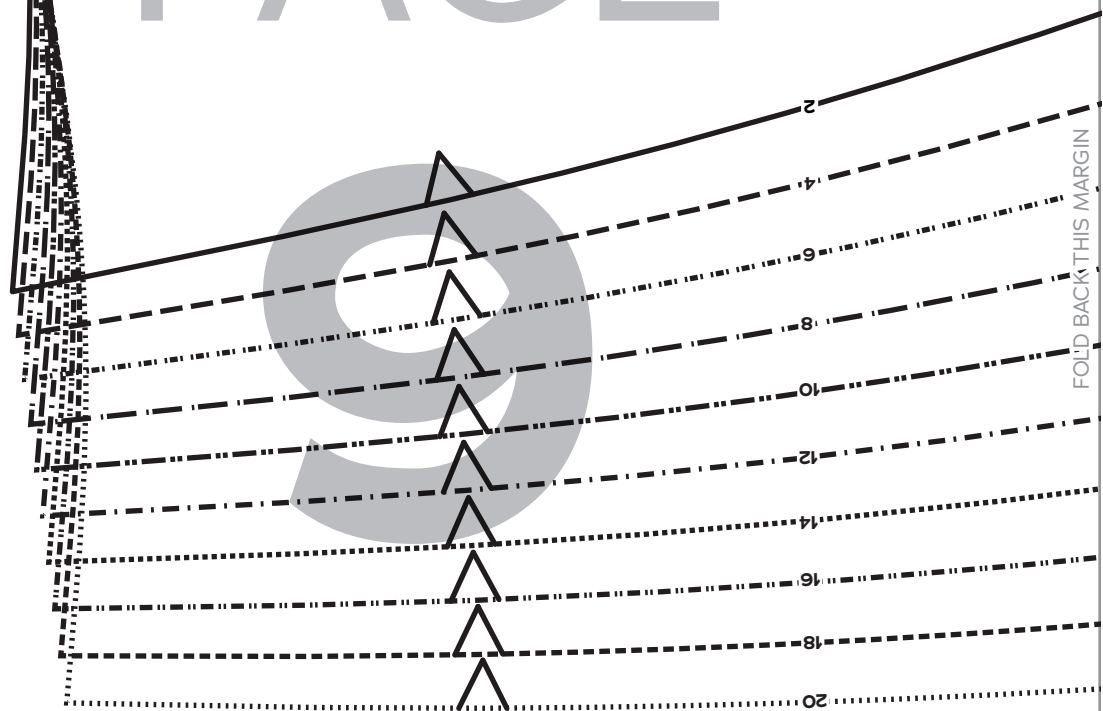
FOLD BACK THIS MARGIN

B3

A3

A4

PAGE



FOLD BACK THIS MARGIN

FOLD BACK THIS MARGIN

B3

FOLD BACK THIS MARGIN

B4

A4

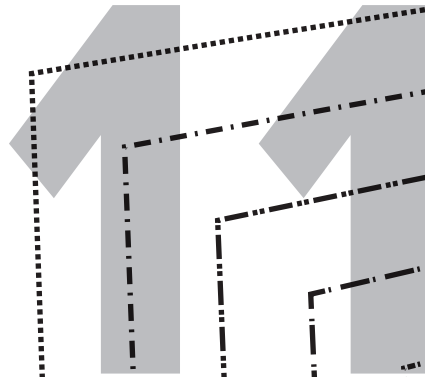
PAGE

10

B4

FOLD BACK THIS MARGIN

PAGE



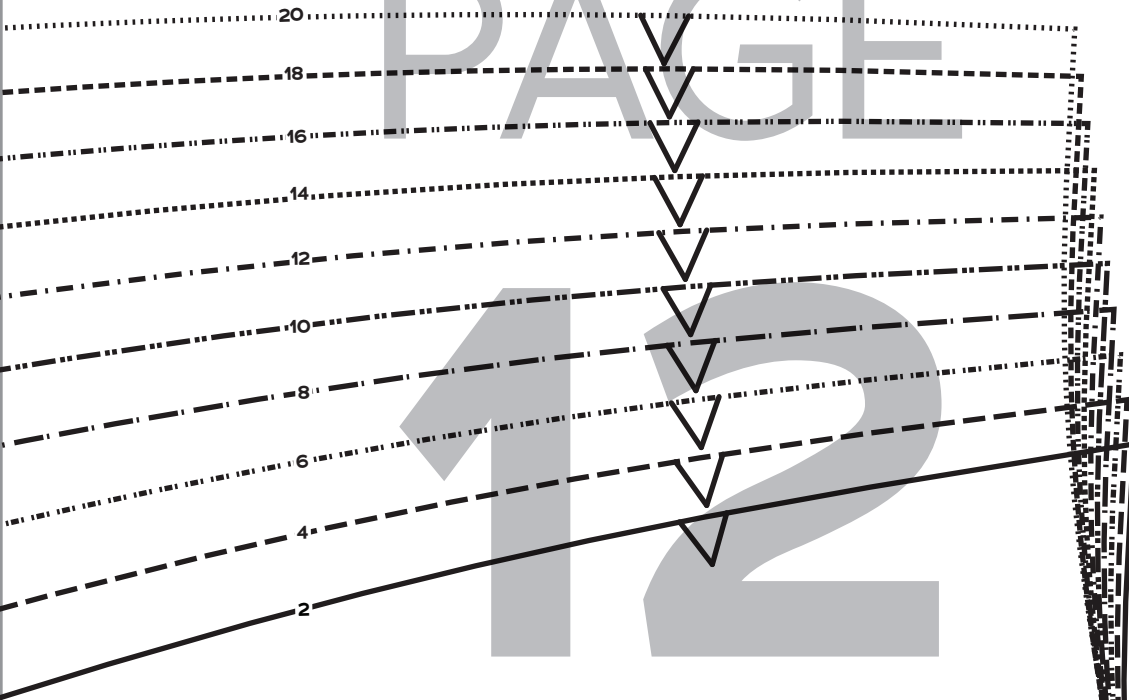
FOLD BACK THIS MARGIN

FOLD BACK THIS MARGIN

B1

B2

PAGE
12



FOLD BACK THIS MARGIN

C1

FOLD BACK THIS MARGIN

C2

B2

B3

PAGE
13

FOLD

FOLD BACK THIS MARGIN

2
10
20

C2

FOLD BACK THIS MARGIN

C3

B3

B4

GATHER BETWEEN NOTCHES

PAGE

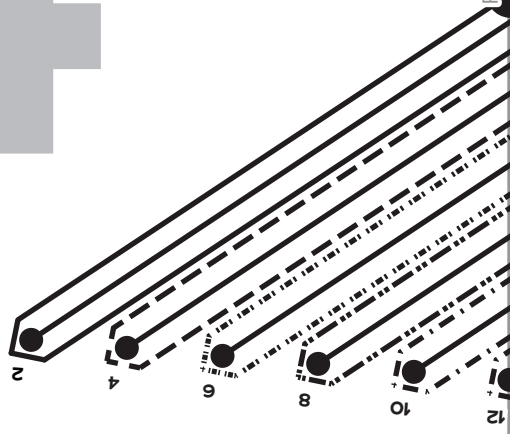
Bodice Front,
D/DD Cup
Cut 1 fabric on fold,
1 lining on fold



SIZES 2-20
EXPANSION
PEGGY BODICE
White Christmas
Society of CHARM

4

FOLD BACK THIS MARGIN

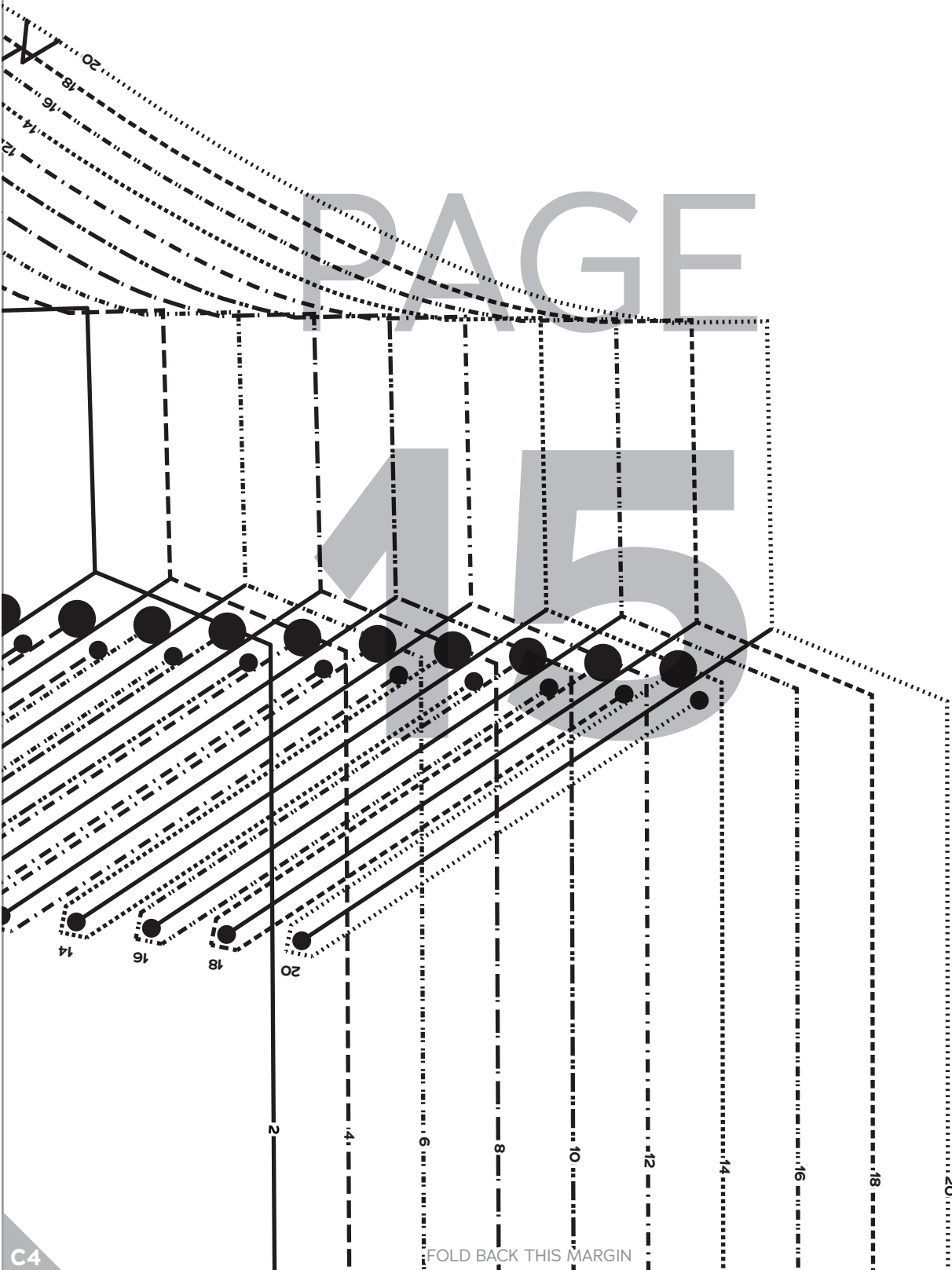


C3

FOLD BACK THIS MARGIN

C4

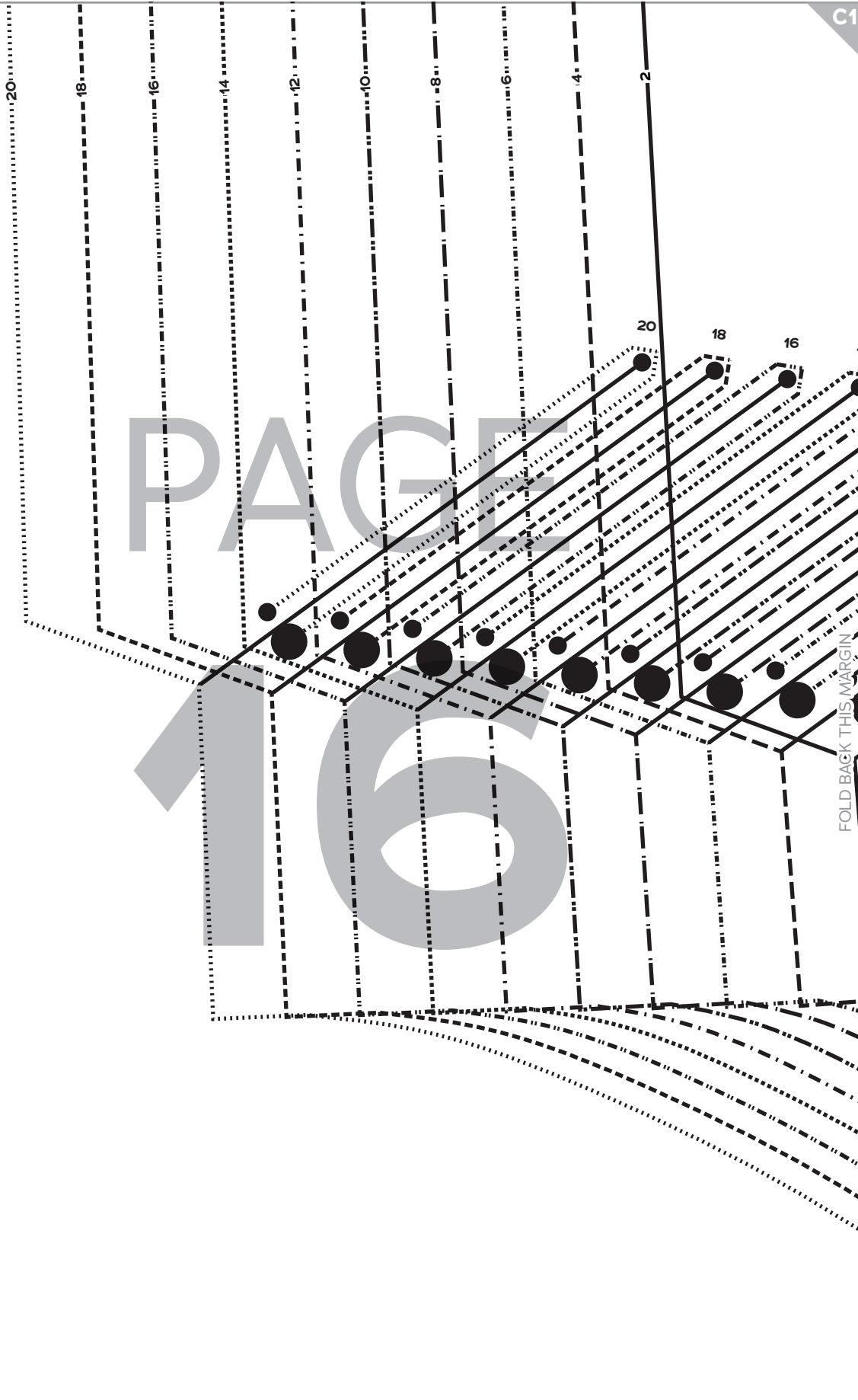
B4



C4

FOLD BACK THIS MARGIN

C1



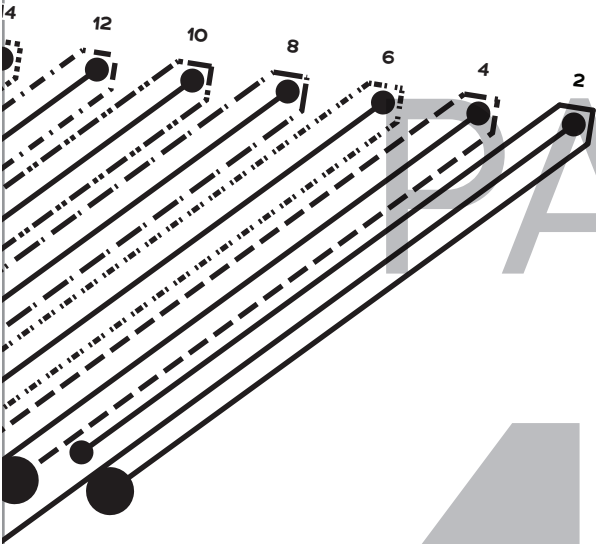
FOLD BACK THIS MARGIN

FOLD BACK THIS MARGIN

D1

C1

C2



PAGE
17

*Society
of CHARM*

*White
Christmas*

**PEGGY BODICE
EXPANSION**

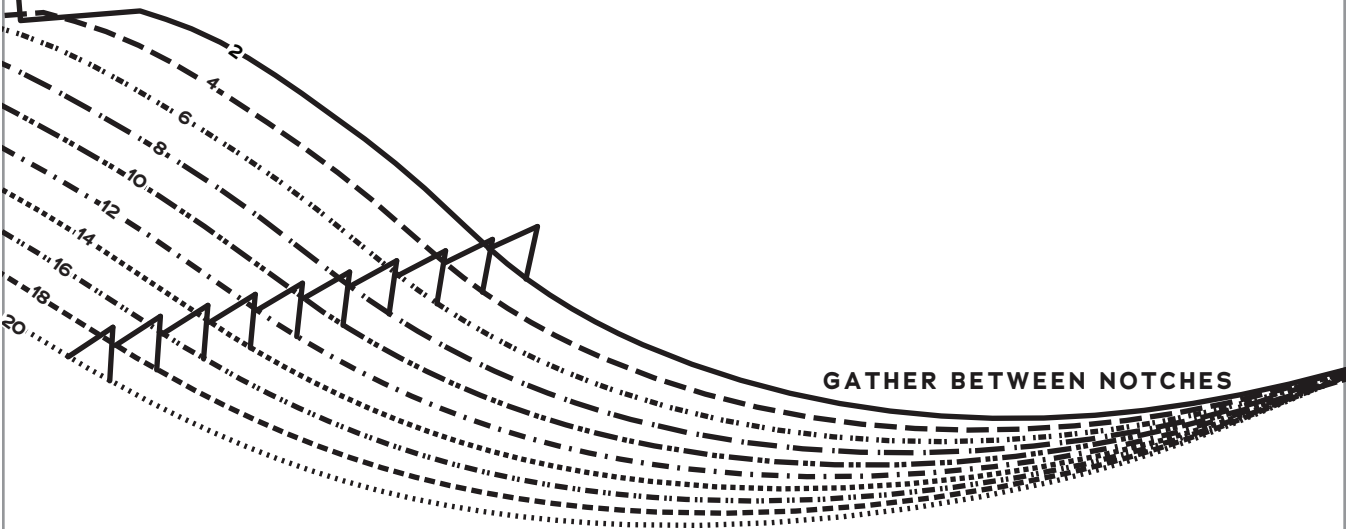
SIZES 2-20

1

**Bodice Front,
B/C Cup**

Cut 1 fabric on fold,
1 lining on fold

FOLD BACK THIS MARGIN



GATHER BETWEEN NOTCHES

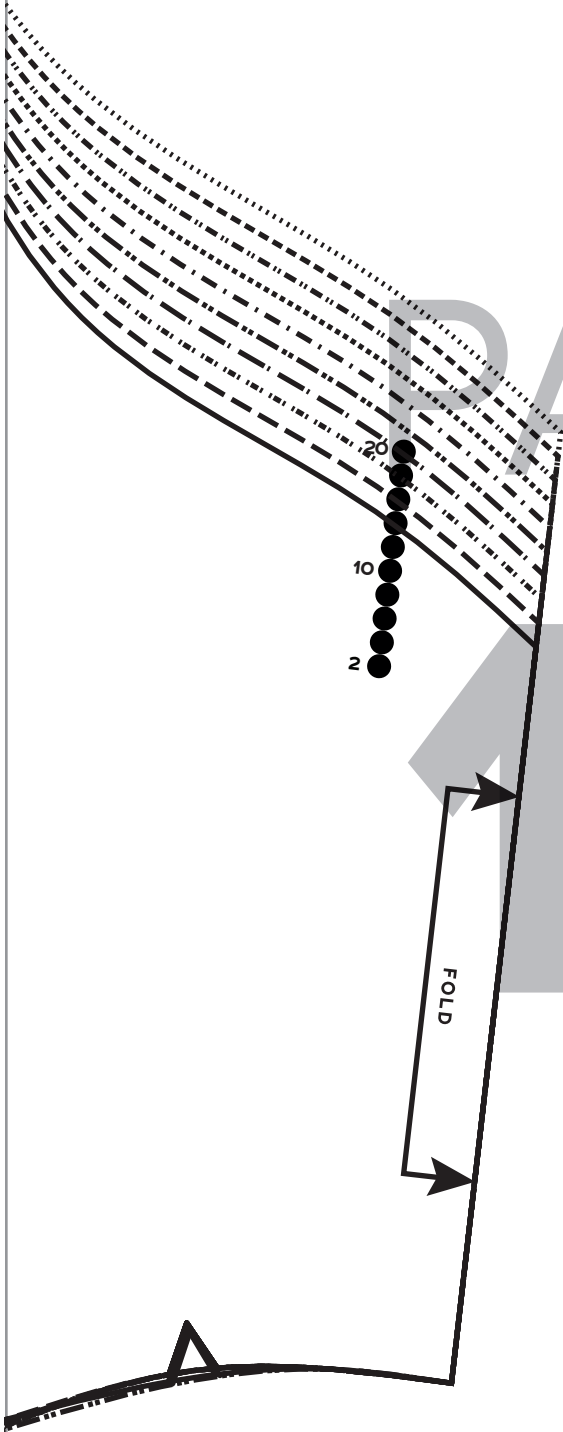
D1

FOLD BACK THIS MARGIN

D2

C2

C3



PAGE
18

FOLD BACK THIS MARGIN

D2

FOLD BACK THIS MARGIN

D3

C3

C4

PAGE

19

FOLD BACK THIS MARGIN

2
4
6
8
10
12
14
16
18
20

D3

FOLD BACK THIS MARGIN

D4

C4

PAGE

20

D4

FOLD BACK THIS MARGIN

PAGE

2

1

FOLD BACK THIS MARGIN

20

18

16

14

12

10

8

6

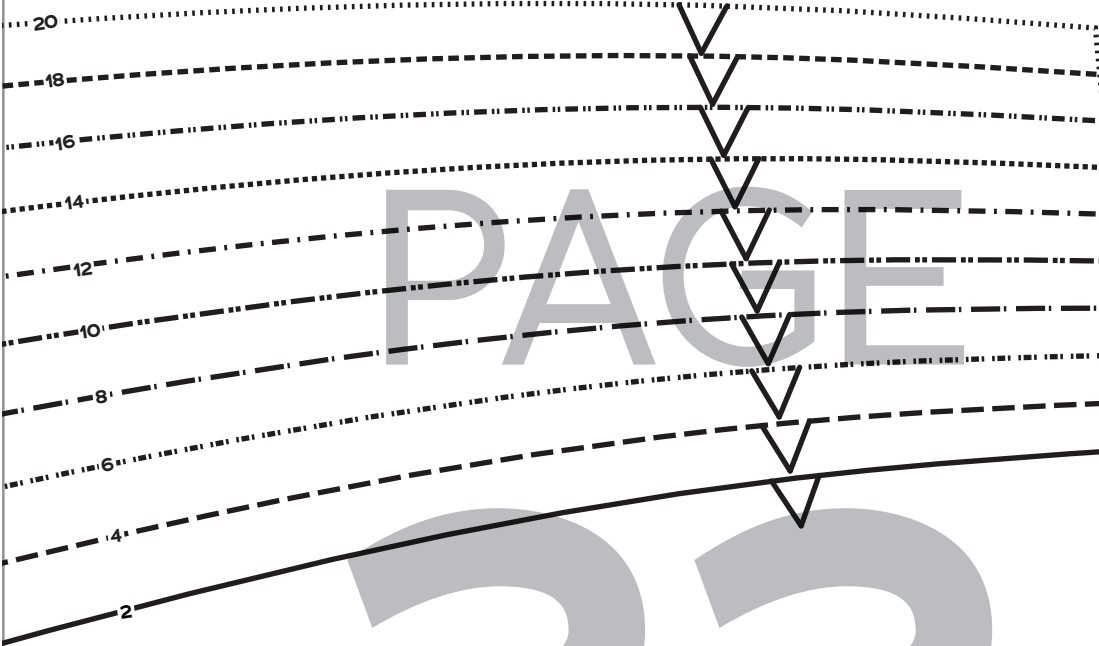
4

2

FOLD BACK THIS MARGIN

D1

D2



FOLD BACK THIS MARGIN

E1

FOLD BACK THIS MARGIN

E2

D2

D3

PAGE
23

FOLD

FOLD BACK THIS MARGIN

2
10
20

E2

FOLD BACK THIS MARGIN

E3

D3

D4

GATHER BETWEEN NOTCHES

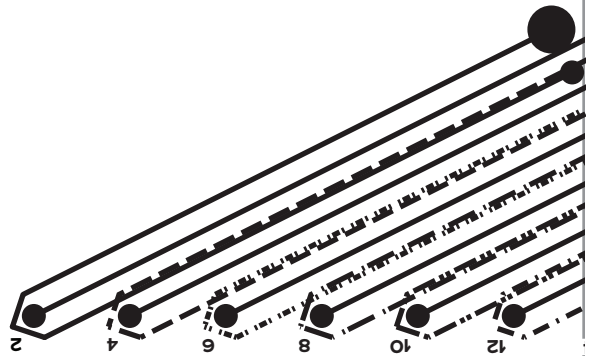
PAGE

24

FOLD BACK THIS MARGIN

Bodice Front,
 H Cup
 Cut 1 fabric on fold,
 1 lining on fold
 ↓
 SIZES 2-20
 EXPANSION
 PEGGY BODICE

White
Christmas
 Society
 of CHARM



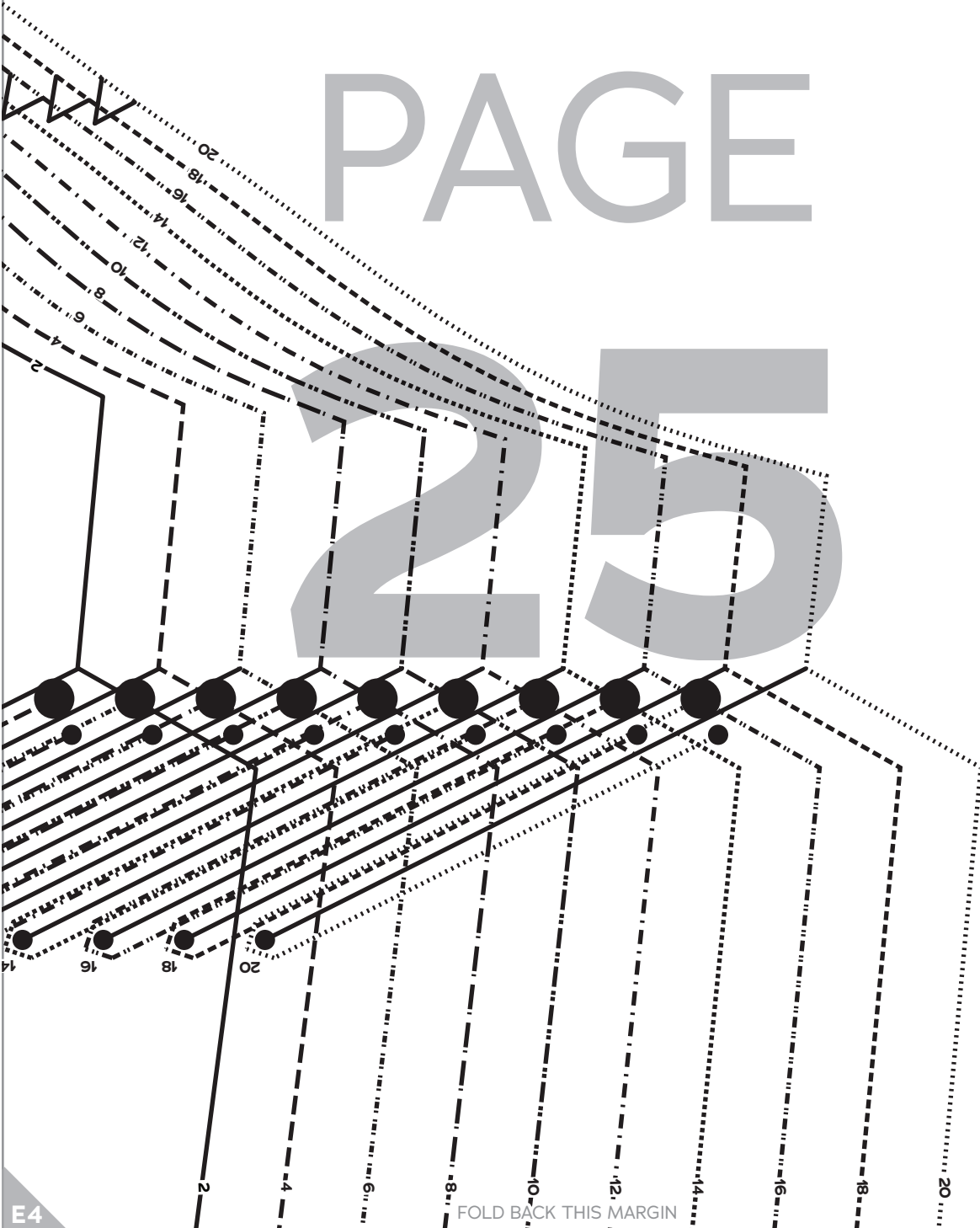
E3

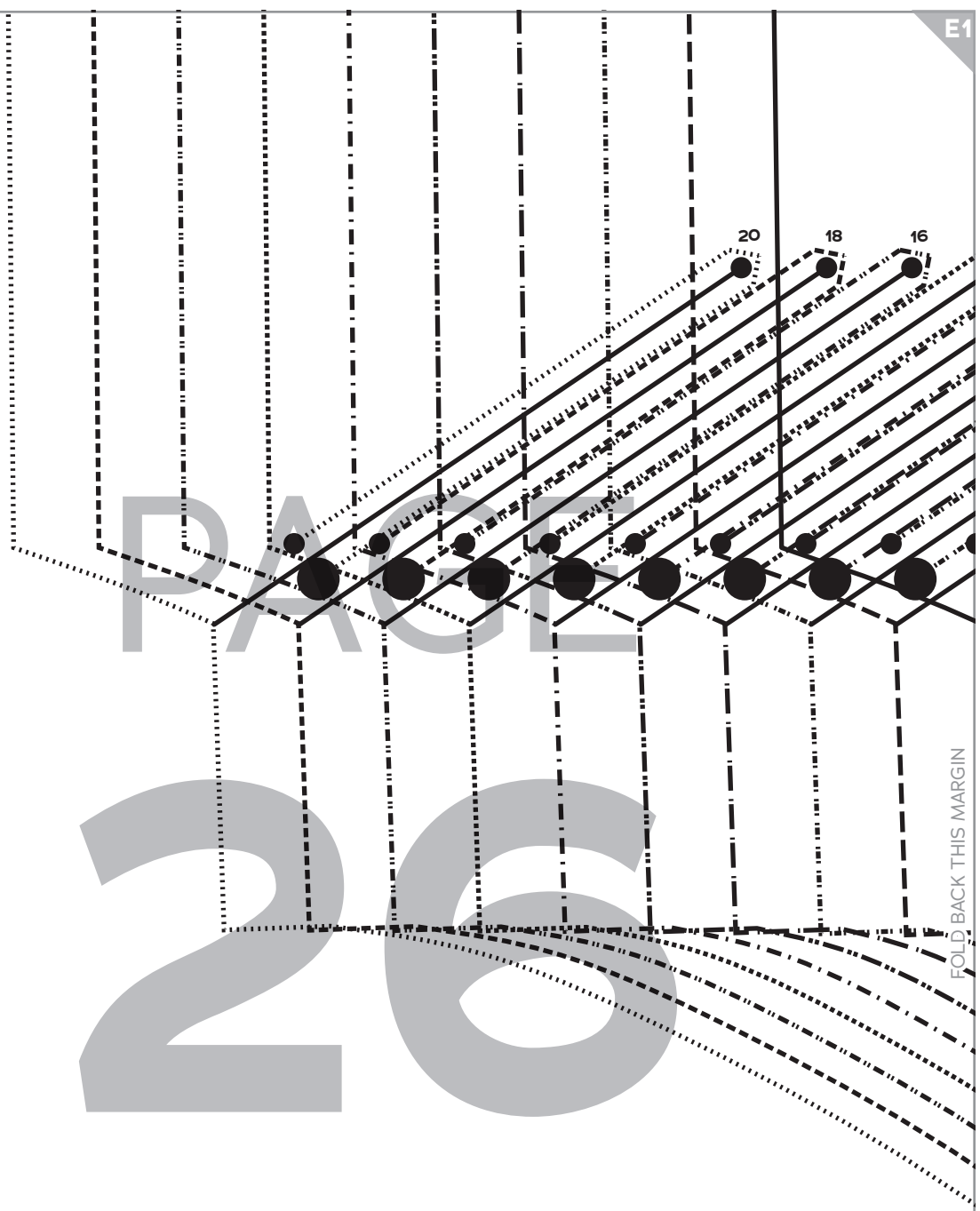
FOLD BACK THIS MARGIN

E4

PAGE

25





FOLD BACK THIS MARGIN

Society
of CHARM

White Christmas

**PEGGY BODICE
EXPANSION**

SIZES 2-20

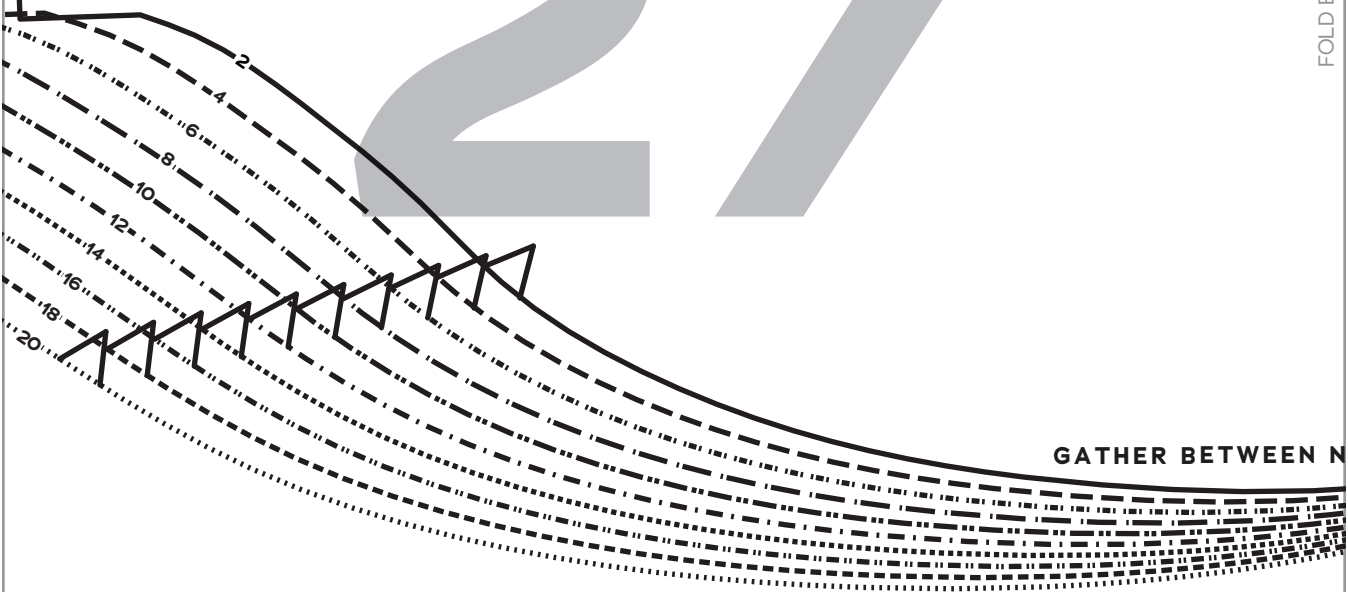
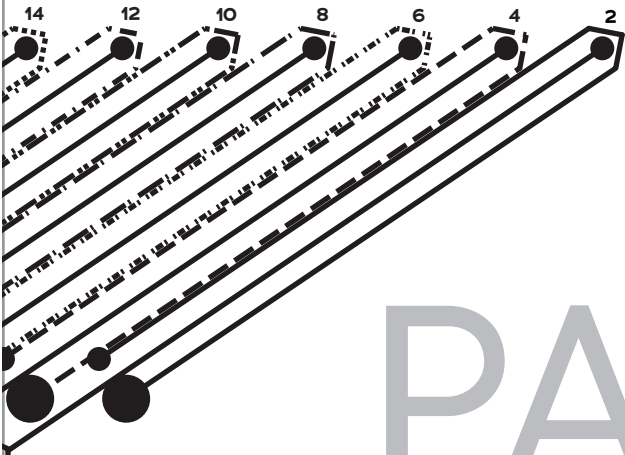
PAGE 1

1
Bodice Front,
F/G Cup

Cut 1 fabric on fold,
1 lining on fold

FOLD BACK THIS MARGIN

27



E2

E3

PAGE
28

20
10
2

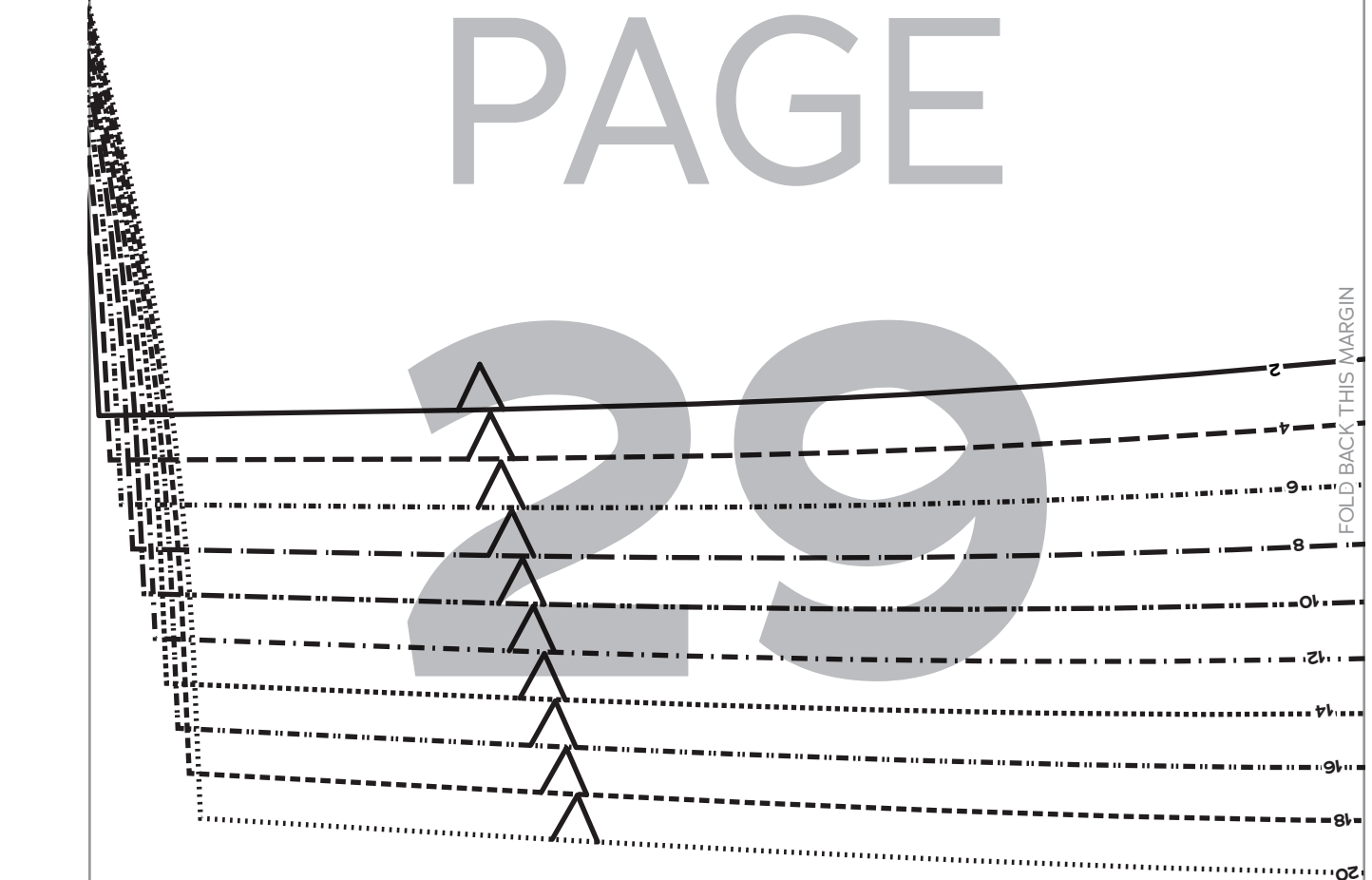


FOLD BACK THIS MARGIN

NOTCHES

PAGE

29



FOLD BACK THIS MARGIN

PAGE

30