

White Christmas

PEGGY BODICE EXPANSION

Sizes 18-34
with cup sizes A-H

5/8 inch (in) (1.5 cm) seam allowances are included on all pattern pieces.



SIZE 18-34
PATTERN
SIZE KEY

18	-----
20
22
24	-----
26
28	-----
30
32
34	-----

SYMBOL KEY

grainline arrow



match point/
placement mark



1 in
test
square

2 cm
test
square

© 2023 Charm Patterns
by Gertie. Distribution
and Commercial Use
Prohibited.

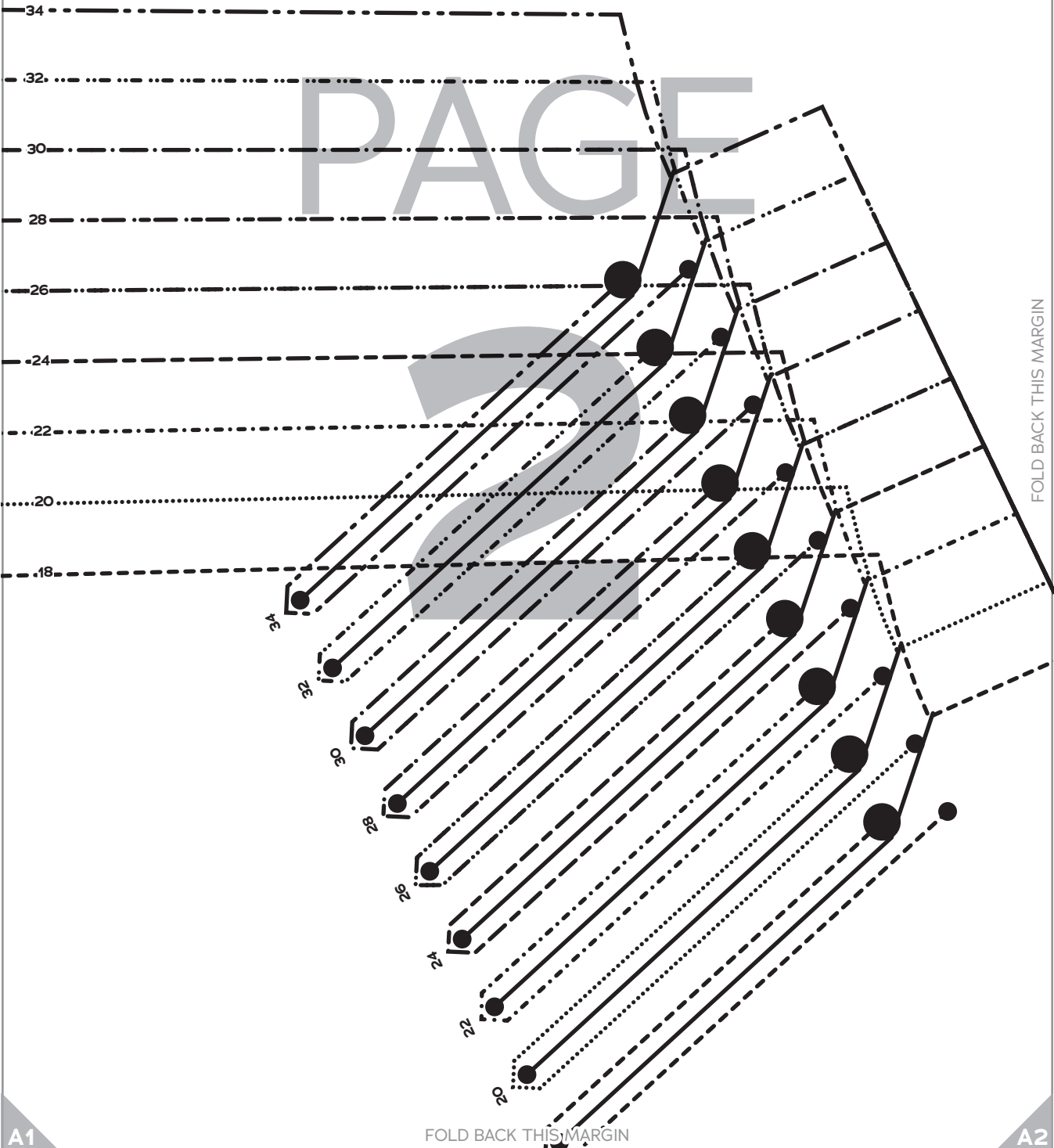
FOLD BACK THIS MARGIN

FOLD BACK THIS MARGIN

A1

PAGE 2

FOLD BACK THIS MARGIN



A1

FOLD BACK THIS MARGIN

A2

ETWEEN NOTCHES

PAGE

3

FOLD

18
26
34

FOLD BACK THIS MARGIN

A2

FOLD BACK THIS MARGIN

A3

GATHER B

PAGE

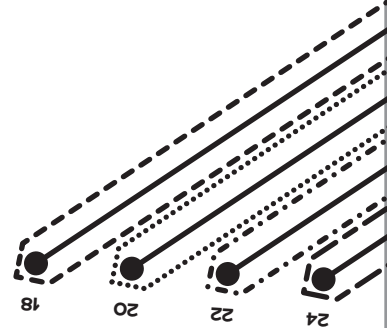
4

FOLD BACK THIS MARGIN

Bodice Front,
H Cup
Cut 1 fabric on fold,
1 lining on fold



SIZES 18-34
PEGGY BODICE
EXPANSION
White Christmas
Society of CHARM

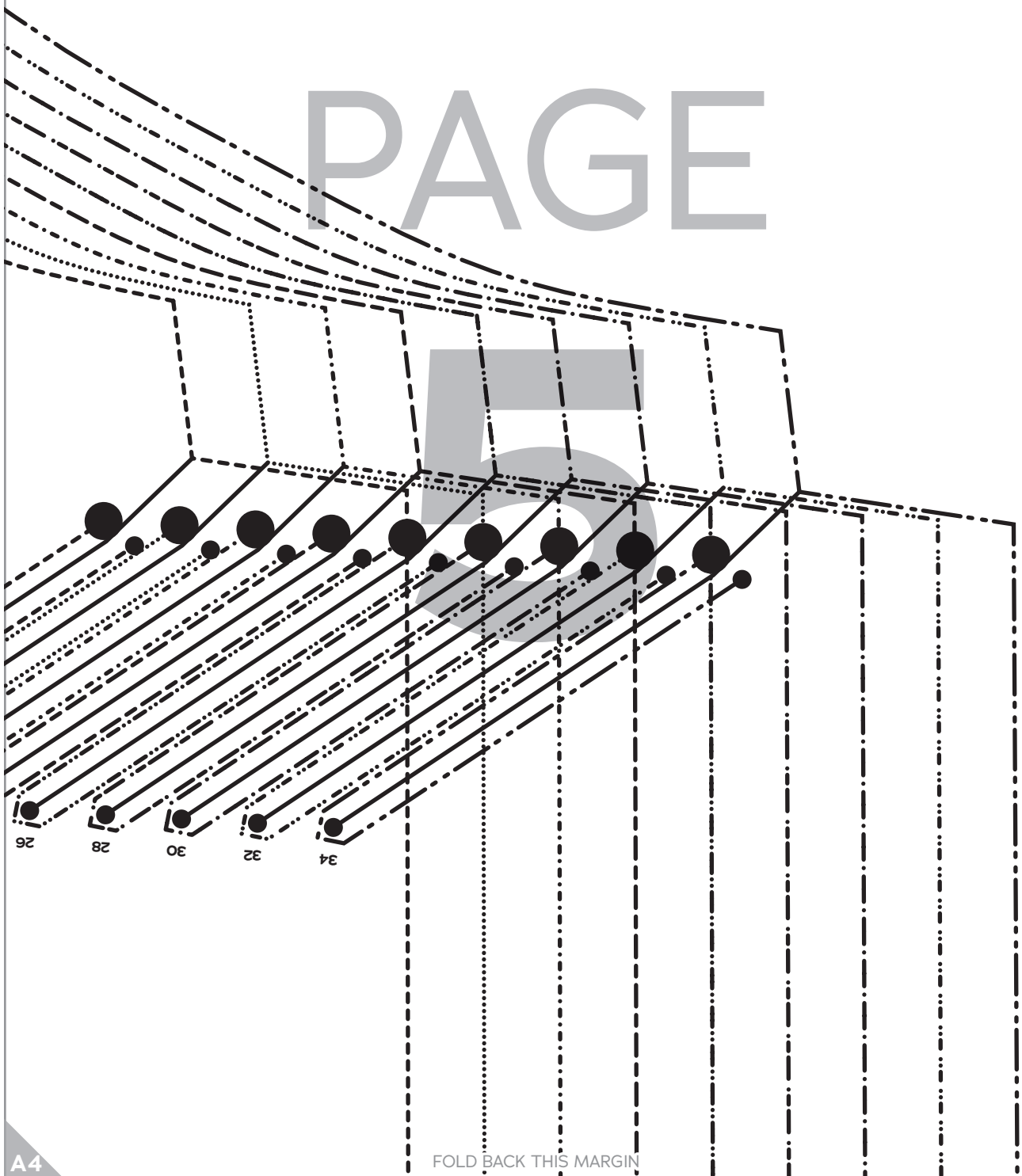


A3

FOLD BACK THIS MARGIN

A4

PAGE



A4

FOLD BACK THIS MARGIN

PAGE

34
32
30
28
26
24
22
20
18

FOLD BACK THIS MARGIN

FOLD BACK THIS MARGIN

A1

A2

Charm Patterns
 of Gertie
 White Christmas
 Peggy Bodice
 Expansion
 Sizes 18-34
 Bodice Back
 2
 Cut 2 fabric, 2 lining

PAGE

7

GRAINLINE

FOLD BACK THIS MARGIN

B1

FOLD BACK THIS MARGIN

B2

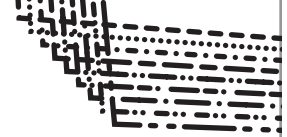
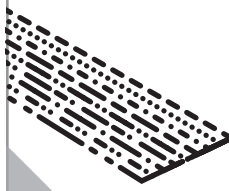
A2

A3

PAGE

8

FOLD BACK THIS MARGIN



B2

FOLD BACK THIS MARGIN

B3

A3

A4

PAGE

9

FOLD BACK THIS MARGIN



B3

FOLD BACK THIS MARGIN

B4

A4

PAGE

10

18

20

22

24

26

28

30

32

34

18

20

22

24

26

28

30

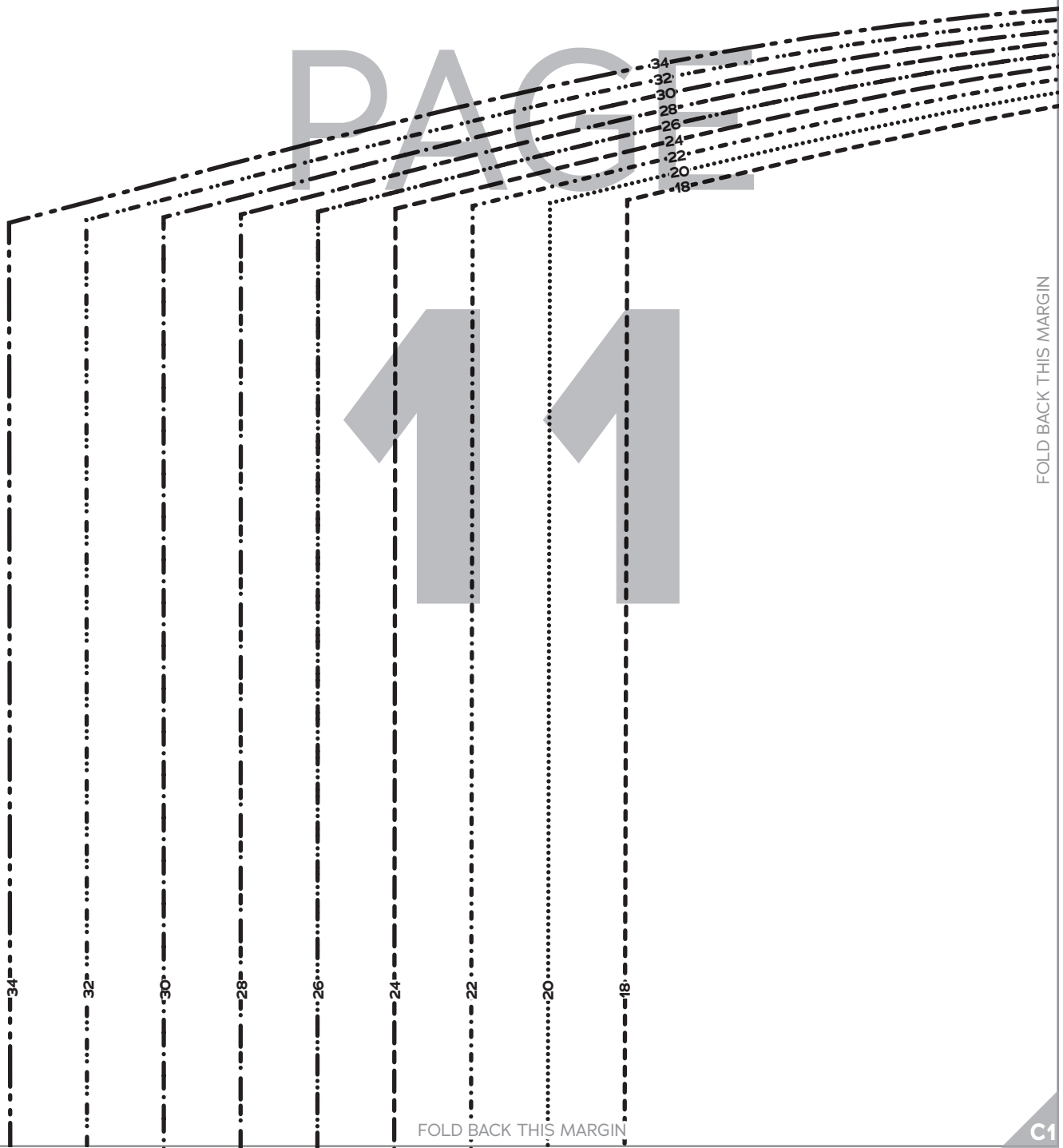
32

34

B4

FOLD BACK THIS MARGIN

PAGE 1



FOLD BACK THIS MARGIN

FOLD BACK THIS MARGIN

B1

B2



PAGE

12

FOLD BACK THIS MARGIN

C1

FOLD BACK THIS MARGIN

C2

B2

B3

PAGE
13

FOLD

FOLD BACK THIS MARGIN

18
26
34

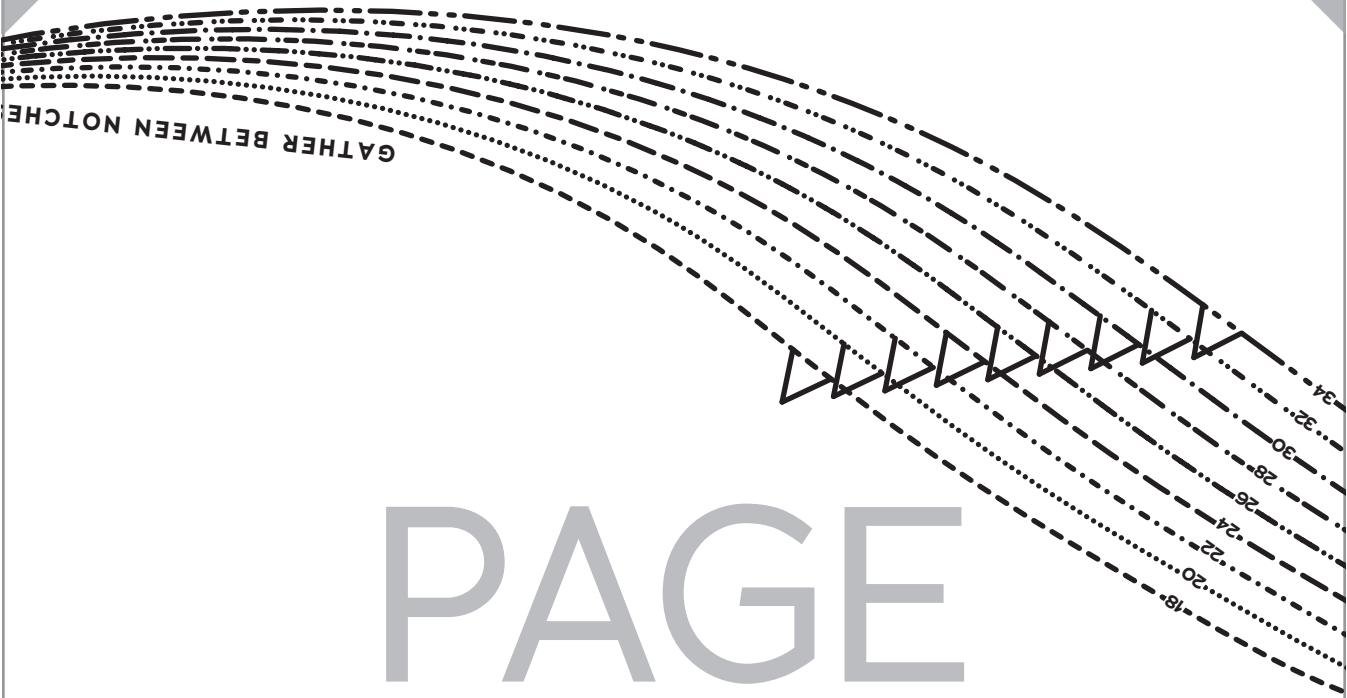
C2

FOLD BACK THIS MARGIN

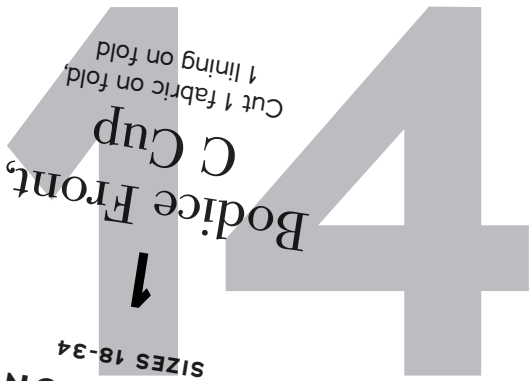
C3

B3

B4

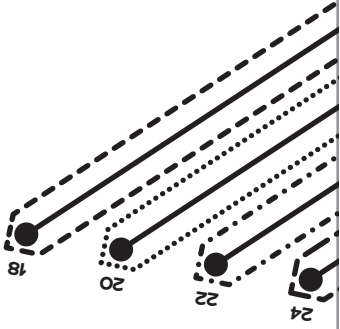


PAGE



SIZES 18-34
PEGGY BODICE
EXPANSION
White Christmas
Society of CHARM

FOLD BACK THIS MARGIN



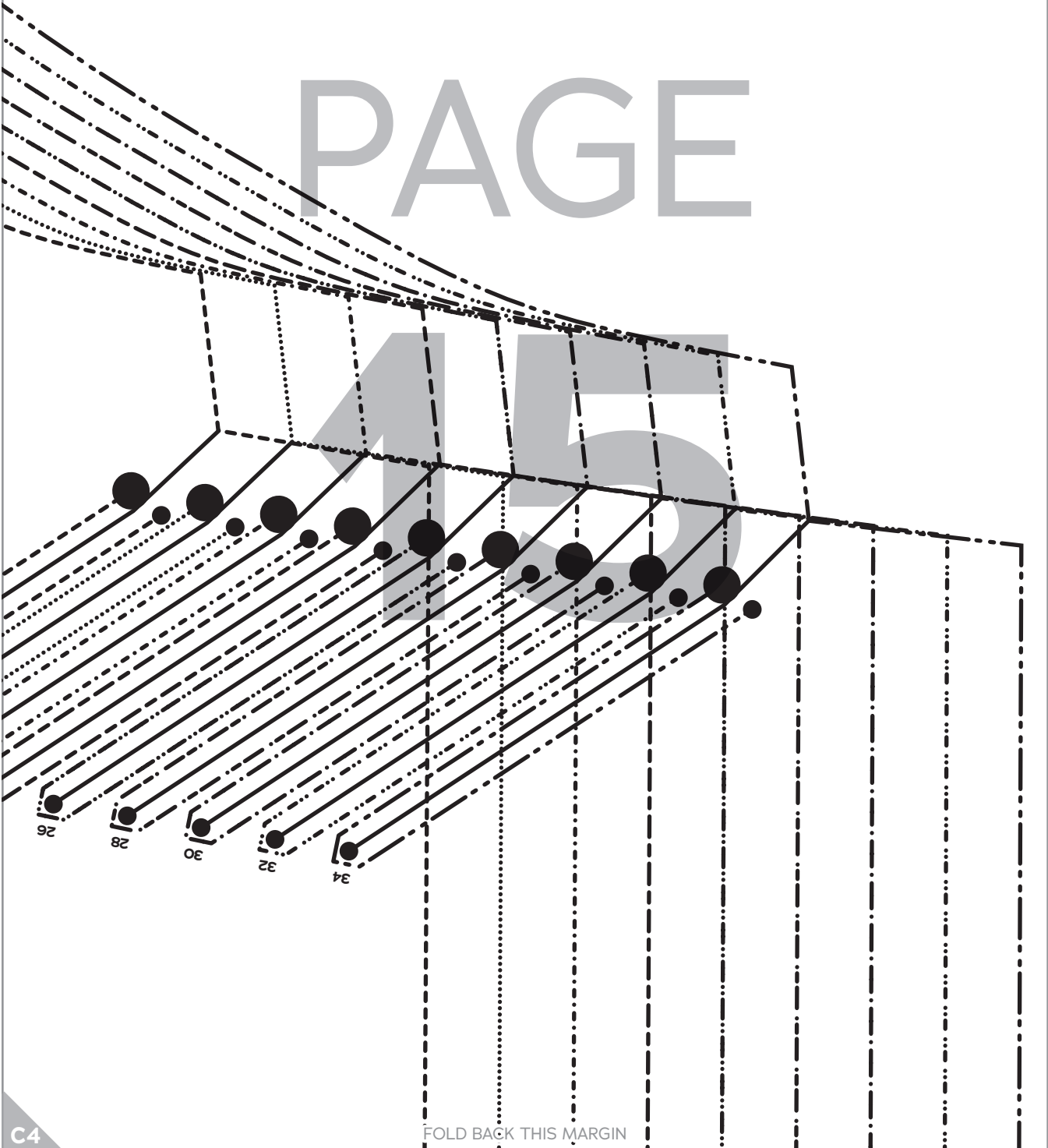
C3

FOLD BACK THIS MARGIN

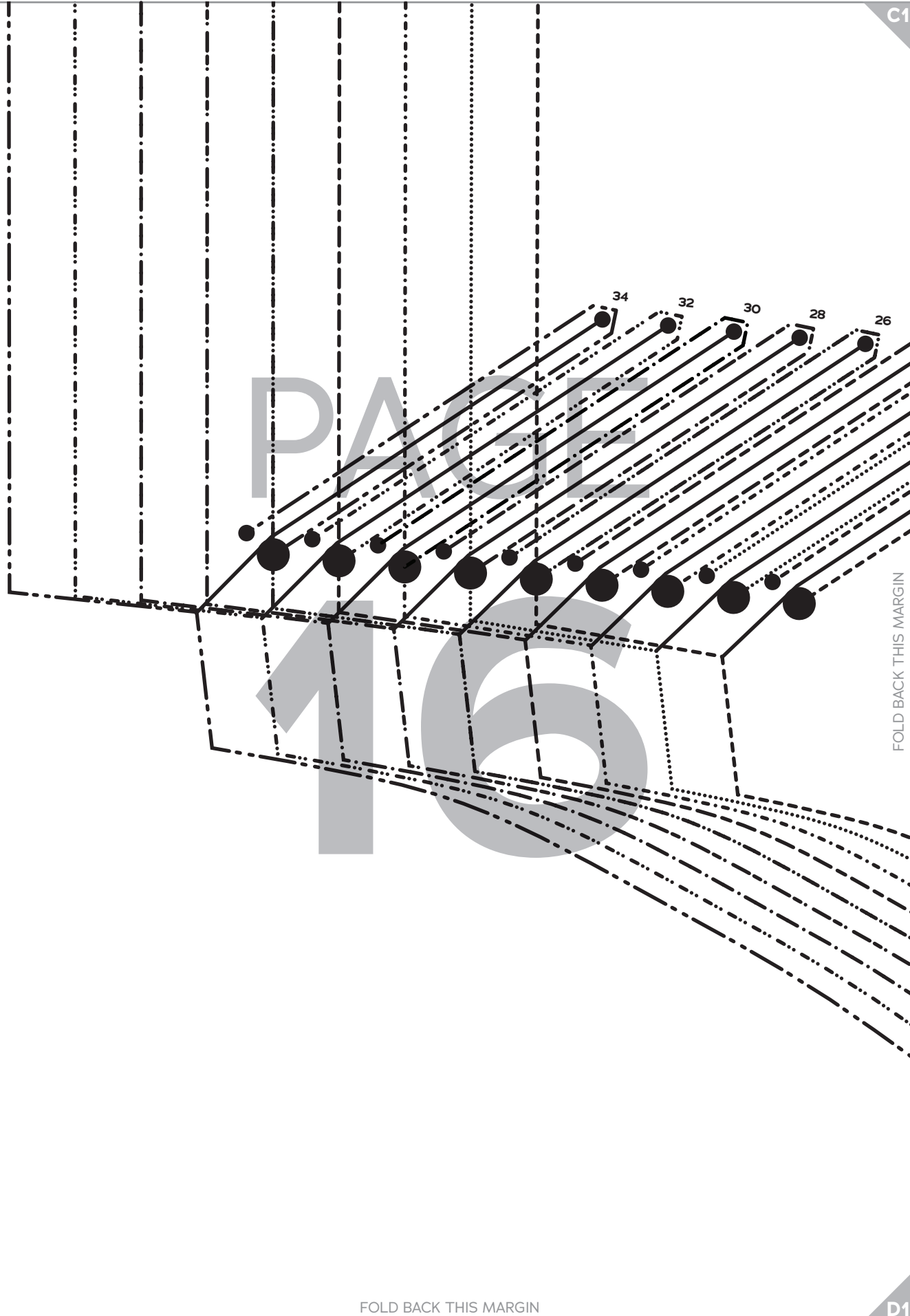
C4

PAGE

45



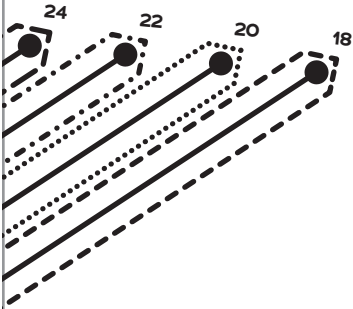
C1



FOLD BACK THIS MARGIN

FOLD BACK THIS MARGIN

D1



PAGE

Society of CHARM

White Christmas
PEGGY BODICE EXPANSION

SIZES 18-34

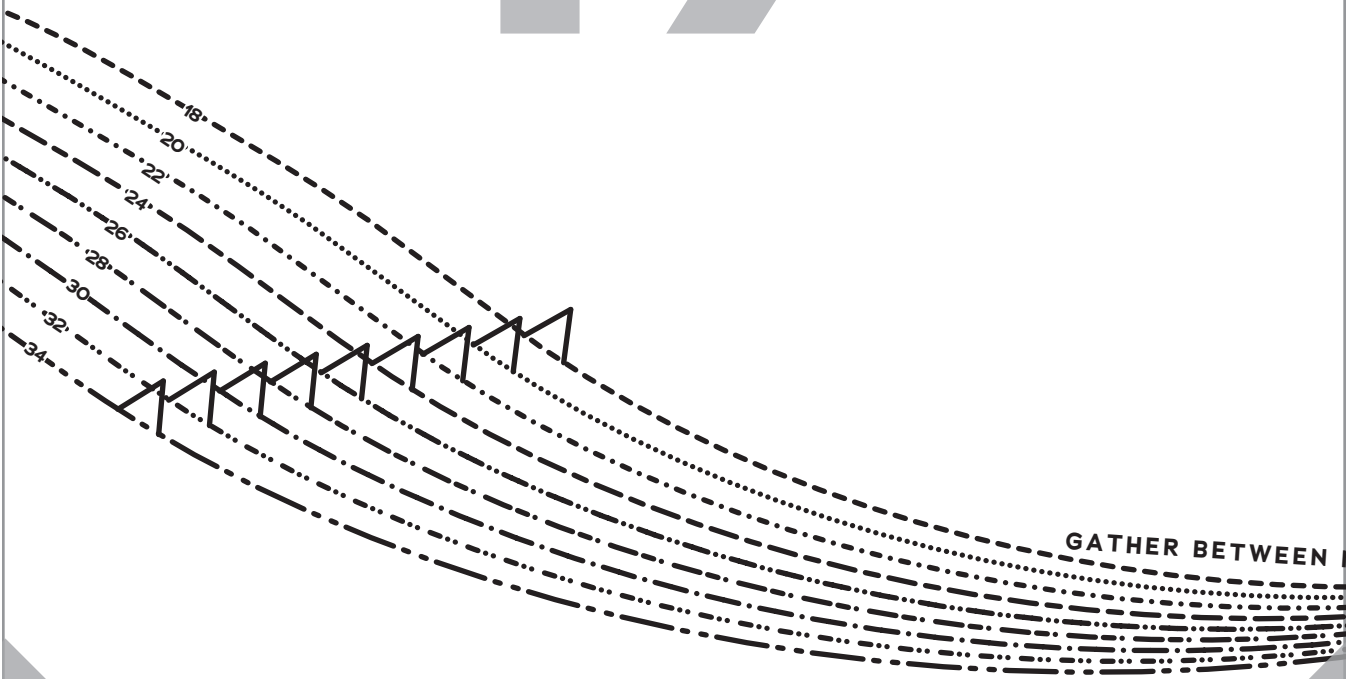
17

1

Bodice Front,
F/G Cup

Cut 1 fabric on fold,
1 lining on fold

FOLD BACK THIS MARGIN



GATHER BETWEEN

C2

C3

PAGE

18

34
26
18

FOLD

FOLD BACK THIS MARGIN

NOTCHES

D2

FOLD BACK THIS MARGIN

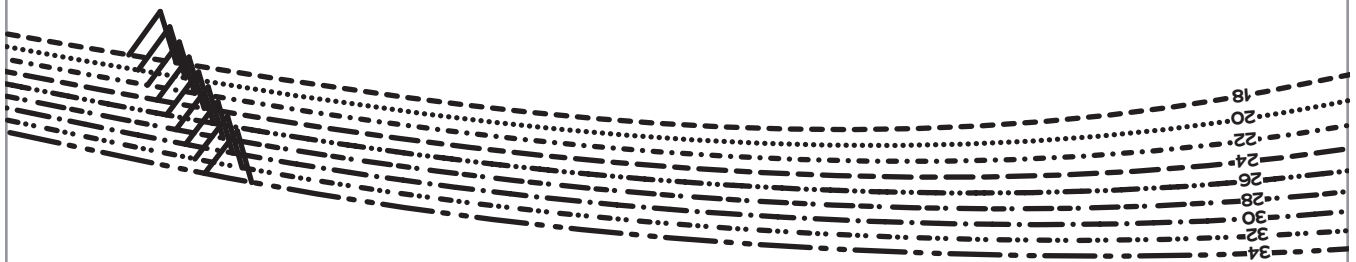
D3

C3

C4

PAGE 19

FOLD BACK THIS MARGIN



D3

FOLD BACK THIS MARGIN

D4

C4

18

20

22

24

26

28

30

32

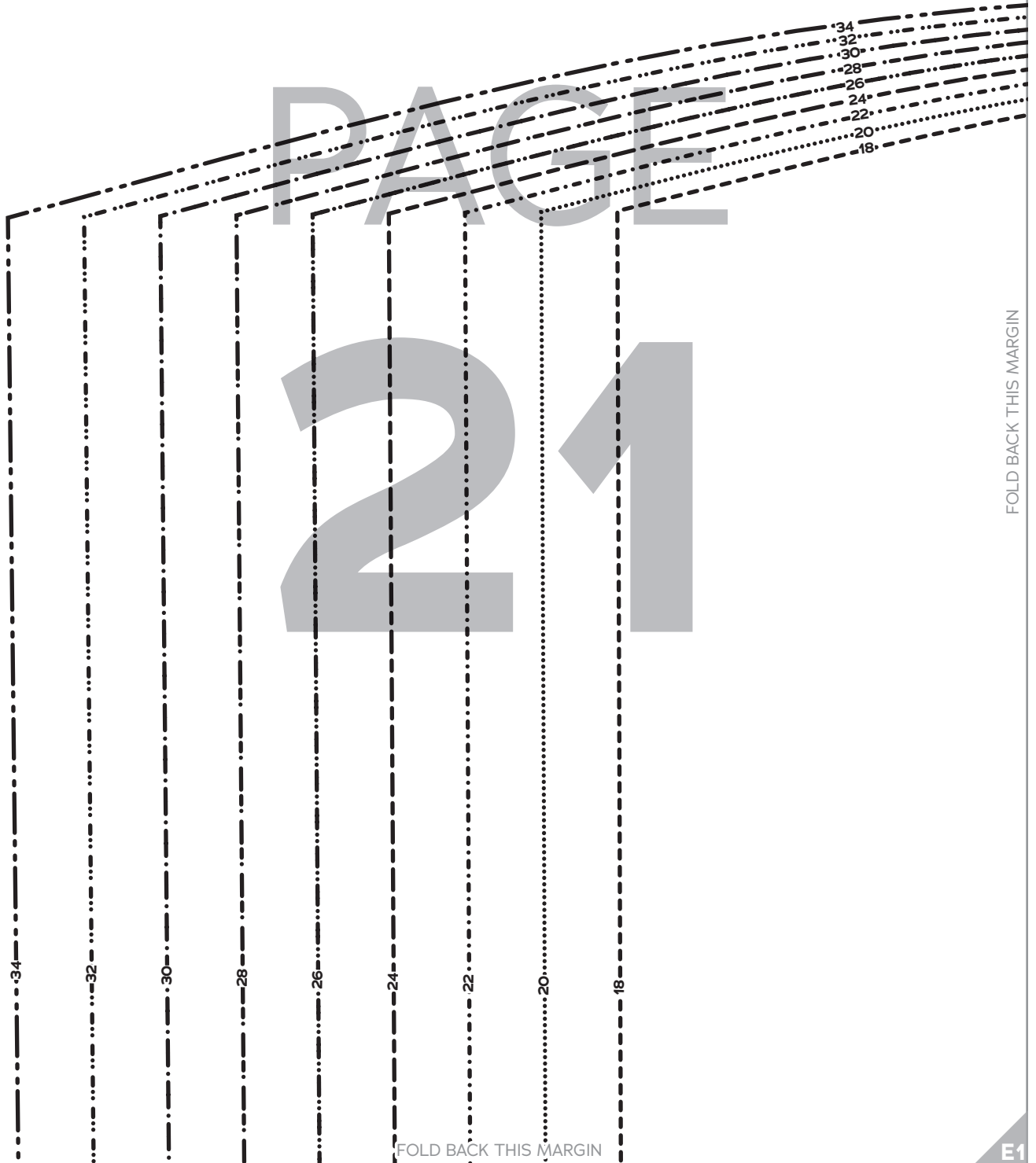
34

PAGE

20

D4

FOLD BACK THIS MARGIN



PAGE

21

34

32

30

28

26

24

22

20

18

34

32

30

28

26

24

22

18

FOLD BACK THIS MARGIN

FOLD BACK THIS MARGIN

D1

D2



PAGE

22

FOLD BACK THIS MARGIN

E1

FOLD BACK THIS MARGIN

E2

D2

D3

HES

PAGE

23

FOLD

18
26
34

FOLD BACK THIS MARGIN

E2

FOLD BACK THIS MARGIN

E3

D3

D4

GATHER BETWEEN NOTCH

PAGE

24

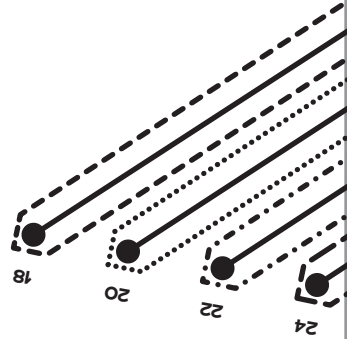
SIZES 18-34
PEGGY BODICE
EXPANSION
Christmas
White
Society
of CHARM

Bodice Front,
A/B Cup

Cut 1 fabric on fold,
1 lining on fold



FOLD BACK THIS MARGIN



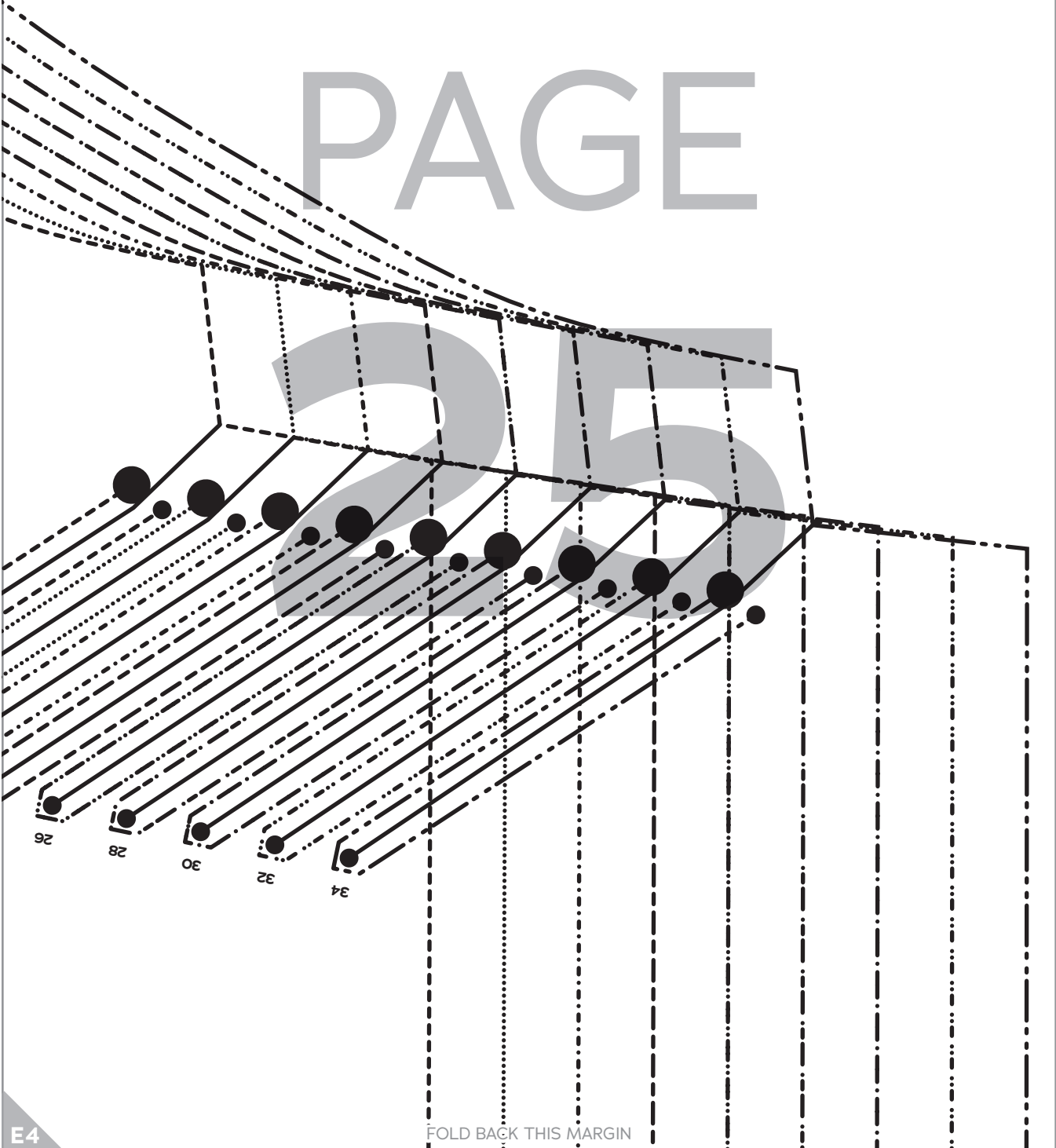
E3

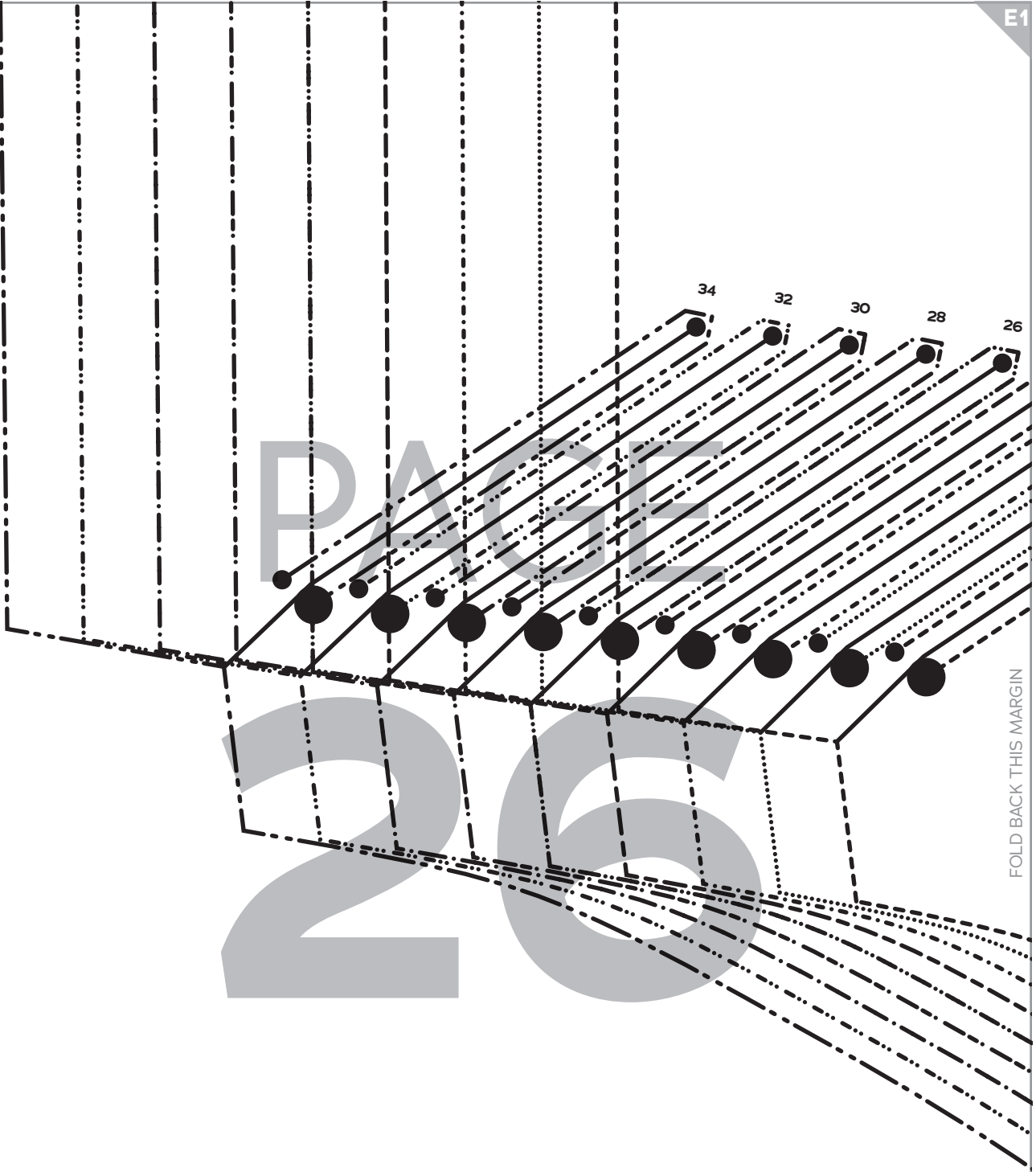
FOLD BACK THIS MARGIN

E4

PAGE

25





FOLD BACK THIS MARGIN

Society
of CHARM

White Christmas

PEGGY BODICE
EXPANSION

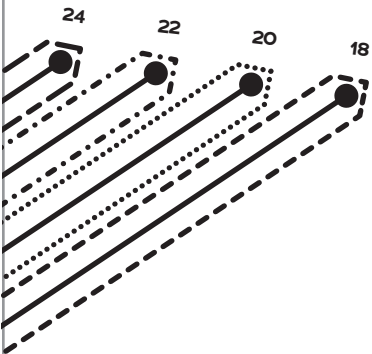
SIZES 18-34

PAGE 1

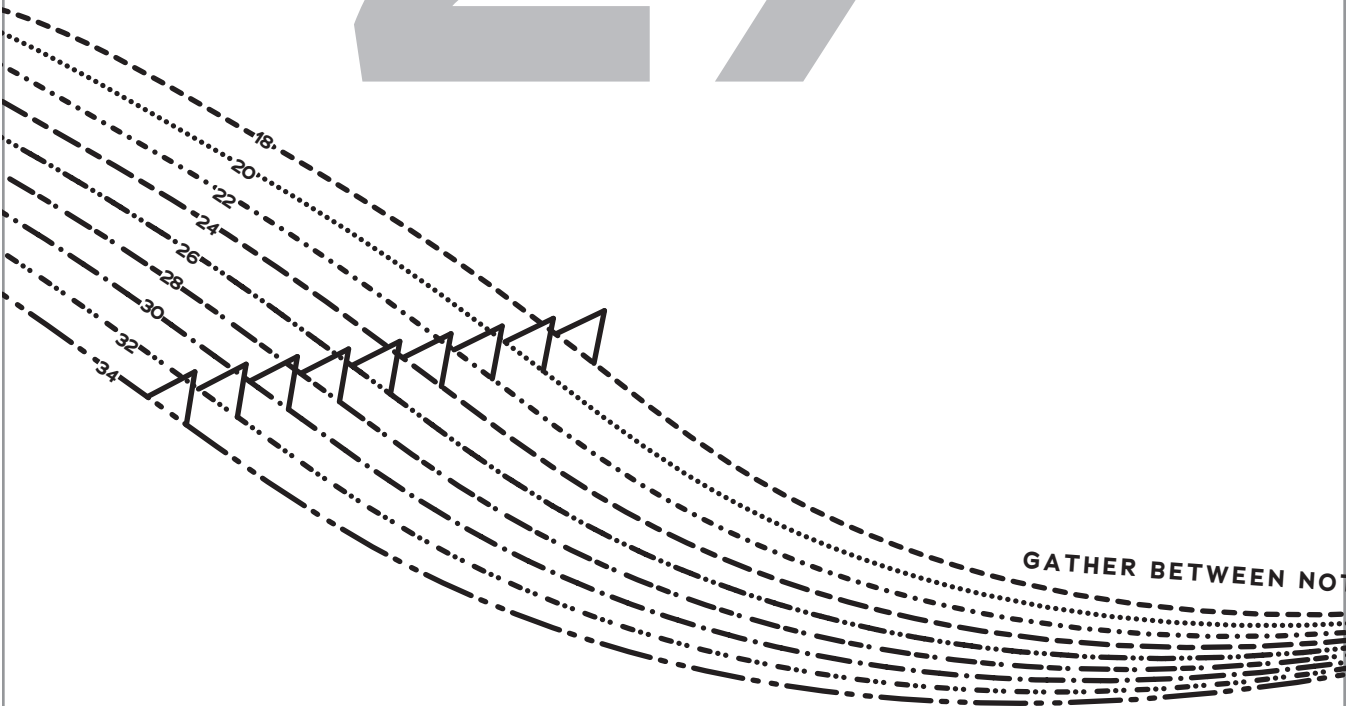
Bodice Front, D/DD Cup

Cut 1 fabric on fold,
1 lining on fold

FOLD BACK THIS MARGIN



27



PAGE
28

34
26
18

FOLD

FOLD BACK THIS MARGIN

INCHES

PAGE 29

FOLD BACK THIS MARGIN



18

20

22

24

26

28

30

32

34

PAGE

30

34
32
30
28
26
24
22
20
18